

Joseph
machine

PRISMA

Single-head cutting-off machine

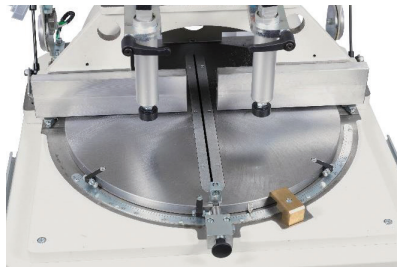


Single-head cutting-off machine with upstroke blade Ø 450 mm

TECHNICAL INFO

Structure

- Electro-welded steel basement
- 2 vertical pneumatic clamps pivoting worktable
- Mechanical stops to select quickly 45°/90°/135° angles
- Depth adjustable back stop
- Sliding square to carry out trimmings



Cutting unit

- Cutting angles from 10° to 170° with intermediate degrees
- Worktable setting at each angle by means of protractor
- Venturi lubrication system
- Widia blade



Power supply

Electric power	400 V / 50 Hz
Motor power	2,2 kW
Air compressed supply	7 Bar
Air consumption per cycle	10 NI

Cutting unit

Blade diameter	450 mm
Shaft diameter	30 mm
Blade revolutions	2.800 rpm
Max. cutting speed	6 m/min
Bladeoutput management	oleopneumatic
Cutting angles	22,5°-157,5°

Safety

- Integral cutting area protections with manual opening and closing
- Complies with CE safety regulations as standard

Electrical cabinet

- IP 55 protection

Cutting Capacity

90°	125x125 mm	
45°	95x95 mm	

190x100 / 230x50 mm	
310x45 mm	

General specifications



450 mm



2.2 kW



245 kg

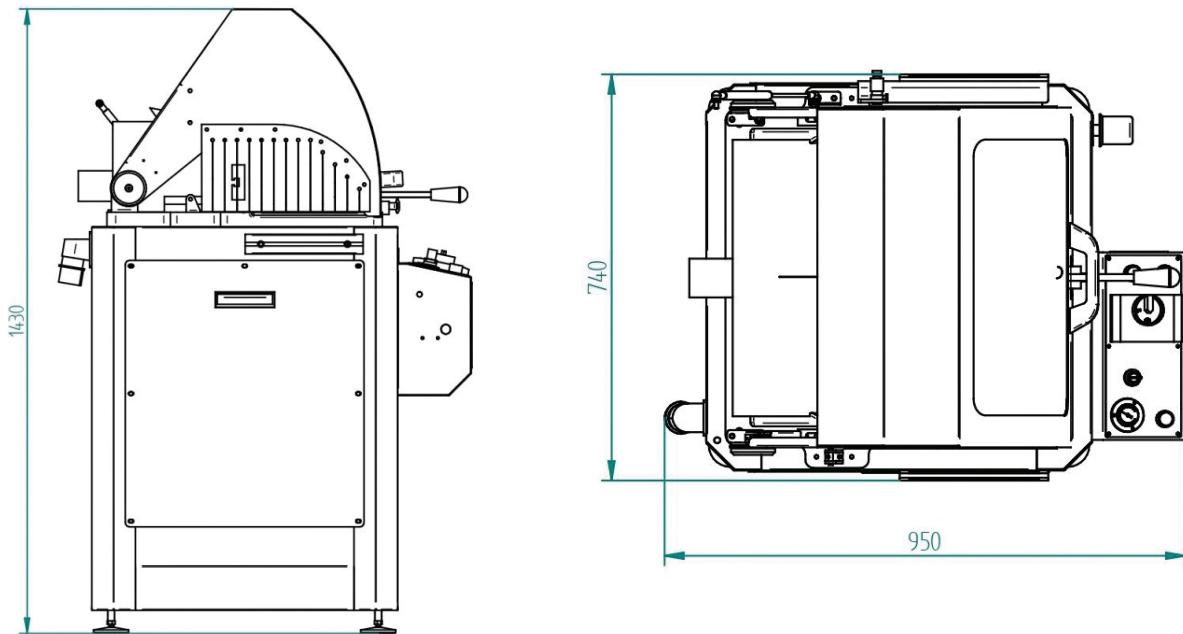


750x1.000x1.600 mm

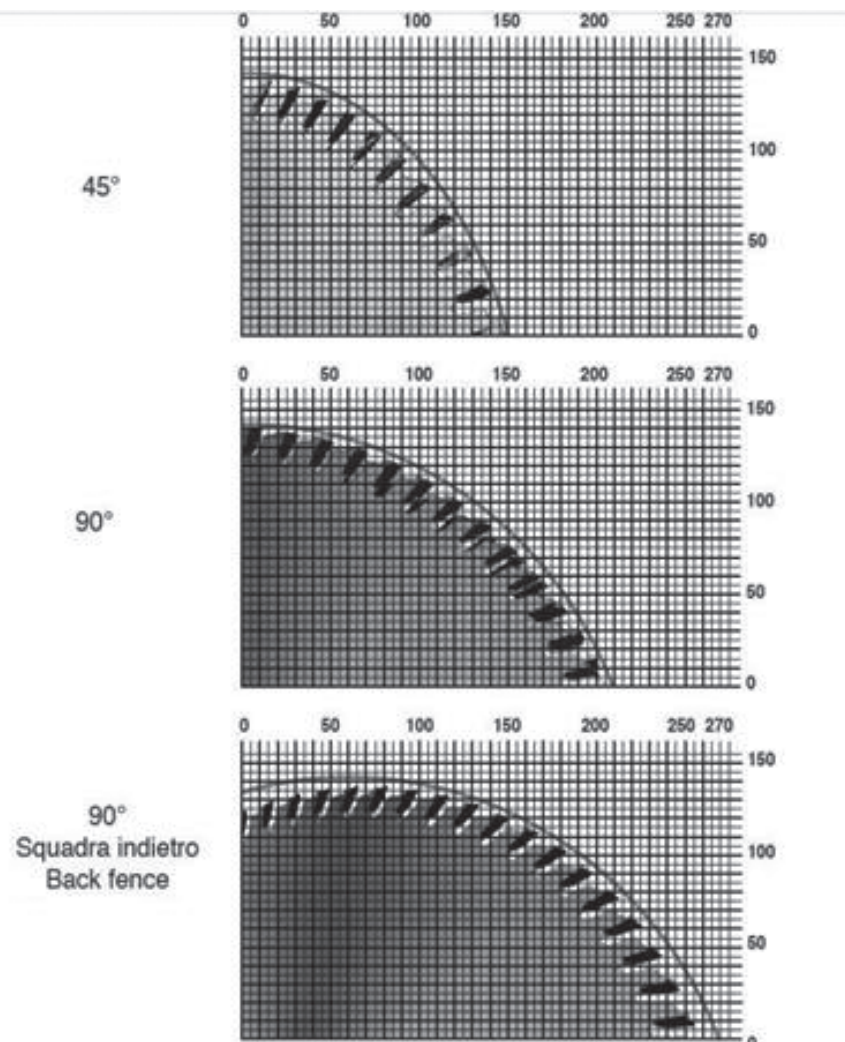
Optionals

- Widia blade 450 mm (spare)
- Laser device to trace cutting lines
- Horizontal pneumatic clamps
- USA-CANADA setup (UL-CSA standards)
- Autotransformer for special voltage
- Ocean freight packaging

Machine layout



Cutting diagrams



Joseph *machine*

595 Range End Rd
Dillsburg, PA 17019

Phone (717) 432-3442
Fax (717) 432-0680
www.josephmachine.com